



PremiLine Sliding Doors. Live in comfort .

profine PremiLine





Smooth. Secure. Long-lasting.

Comfort can take many forms and PremiLine - the new exceptionally smooth sliding door system from profine - can introduce you to a few new ones.

Just opening and closing doors that run this smoothly is a real pleasure. Even when carrying the largest panes of glass, PremiLine profiles are so stable that they glide at the lightest touch, safe and easy to handle.

PremiLine sliding doors also offer the comfort and reassurance of top-level security, due to the outstanding strength and integrity of their construction.

What's more, with tracks made from the highest quality stainless steel, you can sit back and enjoy all this comfort, safe in the knowledge that they are not only remarkably smooth and secure, but long-lasting too.



A great outlook made to measure

If you're lucky enough to have a fabulous view, PremiLine can highlight it with stunning sliding doors: making the most of it – however wide your horizons!



Sliding doors add a bold style statement to both houses and apartments and PremiLine is uniquely striking. Slim frames and chamfered edges give them a distinct, sleek appearance.

PremiLine steel reinforcements provide a solid stability that allows even the largest sliding doors to run with real smoothness.

A variety of configurations – 2, 3 or 4 pane options – are also available. These are vital in helping you to make the most of the natural beauty and window space your home offers, both in terms of height and width.

Comfort - made to measure.



PremiLine – the possibilities are endless

Design options:

PremiLine is available in wide choice of colours or wood grain foil finishes.

Glazing options:

There are a whole range of glazing options to choose from, including special glass types, up to 28 mm thick.

Sliding options:

Sliding pane can be installed to the outer sliding track or inner sliding track.

Partitions:

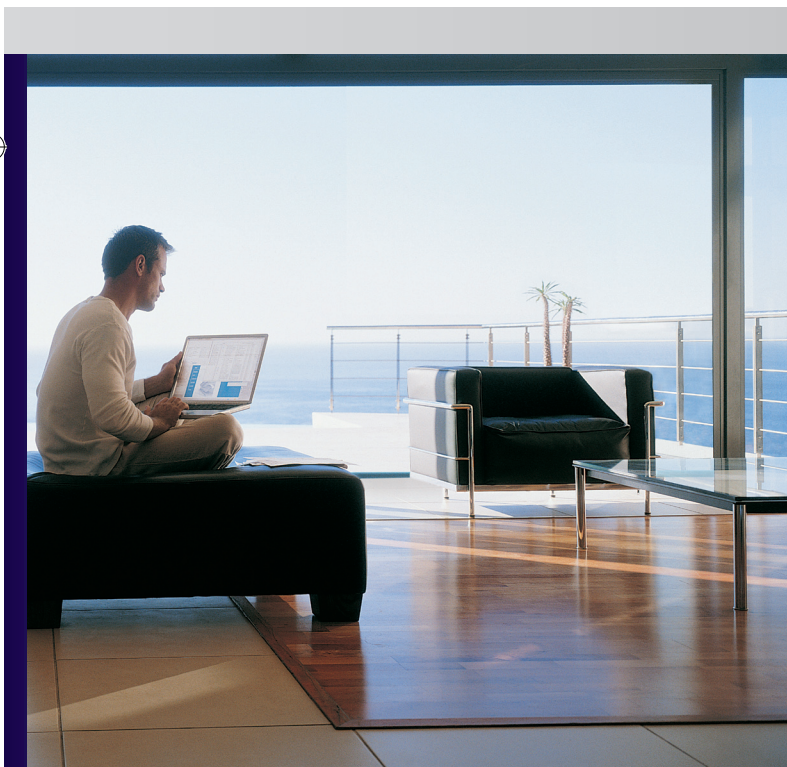
Sliding doors make excellent partitions.

Low Threshold:

Where easy access is an important design criteria, a low threshold is available.

Installation Options:

Outer frames can be mechanically jointed on site in instances of restricted access



Uniquely, PremiLine is available in White, Golden Oak, Mahogany, Rosewood, Cream or Black. A wide range of special foils are available to special order

An integrated letterbox is a practical accessory in porch/entrance applications



greenline

- ▶ PremiLine PVC-u profiles are sustainably manufactured using greenline, a 100% lead-free stabilizer made from environmentally friendly calcium-zinc.
- ▶ With proven heat insulation properties, PremiLine sliding doors - by keeping the warmth securely inside your home - will also contribute to protecting our environment.
- ▶ Unlike wooden profiles - which constantly need repainting - PremiLine is extremely durable, looking great for generations with minimal maintenance.
- ▶ PremiLine PVC-u is fully recyclable and scrap materials from manufacture and replacement units can be processed through recycle, our own recycling programme.

Quality design: it's all in the detail

Many of the benefits of a PremiLine sliding door are plain for all to see. Others, however, are more subtle: to be found in the detail.

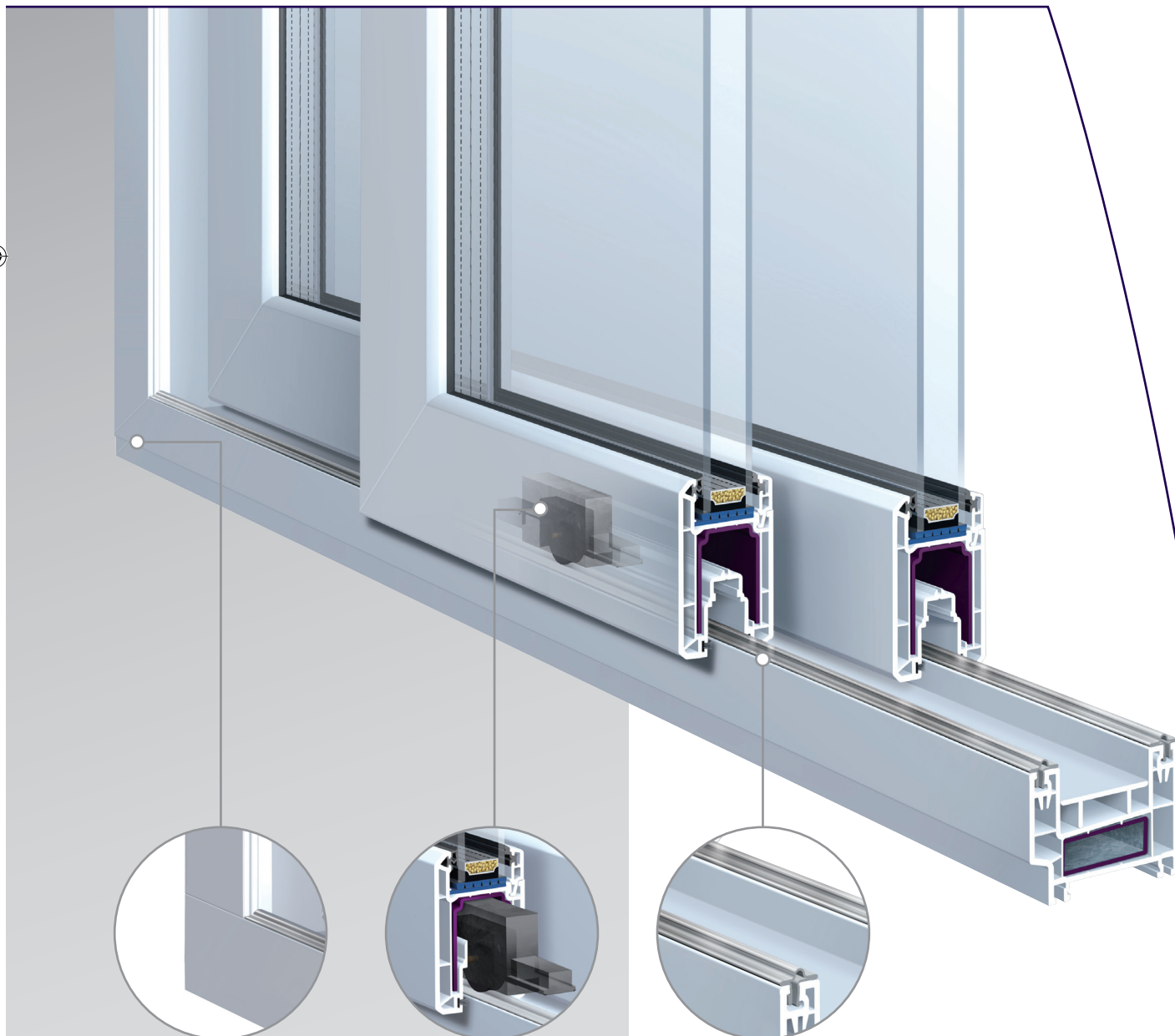
The chamfered edges on both sides of PremiLine are particularly appealing and are compatible with our standard window systems.

Another detail worth noting is the construction of the PremiLine sliding door itself. Outer frames can either be fully welded or

mechanically jointed on-site. This allows for easy installation in project sites that have restricted access.

The PremiLine sliding door system is designed to co-ordinate perfectly. As such, it offers the highest quality standards, precise specifications and tight tolerances – with great aesthetic appeal.

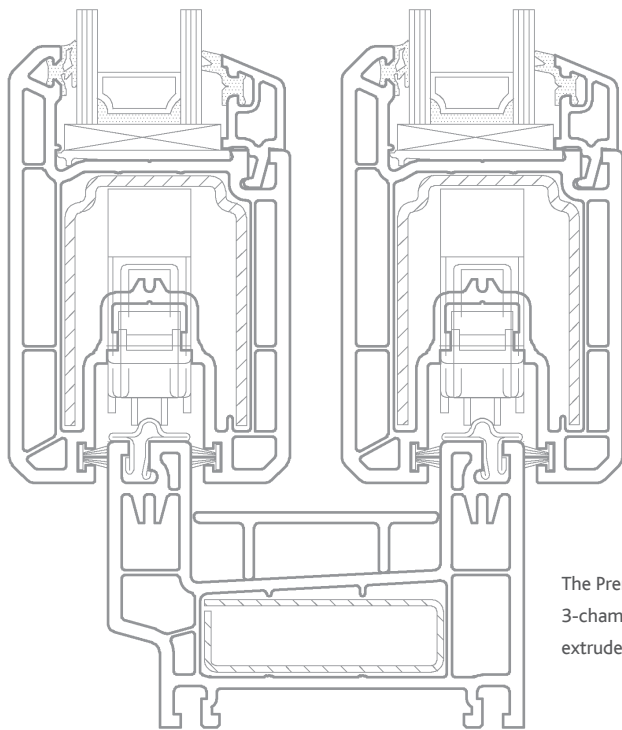
Comfort – by design



Outer frame corners can be welded or mechanically jointed.

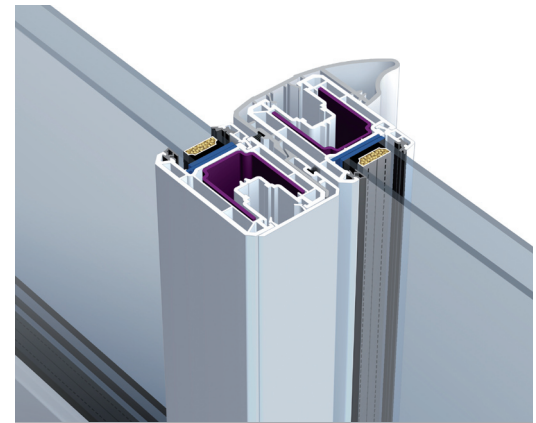
Special nylon or stainless steel wheels will ensure that doors run exceptionally smoothly and easily.

High quality stainless steel tracks guarantee the maximum service life possible.



The centre section where the door panes overlap, can be strengthened by a full length Aluminium handle making the system even more stable.

The Premiline profile is a 3-chamber system extruded to BS7413

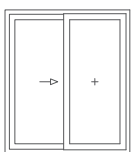


The design and structure of PremiLine, with its exceptional stability, offers many benefits:

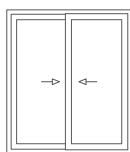
- ▶ Extremely smooth-running sliding doors, moving at the slightest touch
- ▶ Extra durability for all elements thanks to minimal wear
- ▶ Offers high security
- ▶ Large units are easily achieved
- ▶ Striking design with a choice of gasket in black or grey
- ▶ A wide range of colours and installation choices
- ▶ Low threshold option available
- ▶ Outer frames can be welded or mechanically jointed

A fully flexible system

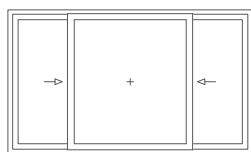
When it comes to versatility, PremiLine sliding doors are top of the range. The system's inherent flexibility makes it ideal for all kinds of openings.



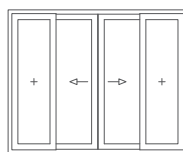
Two-part element with one sliding door and one fixed pane.



Two-part element with two sliding doors.



Three-part element with two sliding doors and a fixed pane in the centre.



Four-part element with two sliding doors in the centre and a fixed pane on each side.





profine GmbH
International Profile Group

Mülheimer Straße 26
D-53840 Troisdorf
Telephone +49 2241 85-06
Telefax +49 2241 85-2793
info@profine-group.com
www.profine-group.com

profine UK Limited

Lancaster Road
Fradley Park
Lichfield
Staffordshire
WS13 8RY
Telephone 01543 444900
Telefax 01543 444990
info@profine-group.com
www.profine-group.com

greenline

recycline
PVC-U RECYCLING INITIATIVE

The future of windows
is in strong brands:

